

DHI-ARC3800H-FW2(868)

Dahua Wireless Alarm Hub 2



Series Overview

The Alarm Hub manages the wireless alarm devices in your system to alert you when doors are broken into, windows are opened, glass breaks, fires break out and water leaks. If an intruder breaks in, the hub notifies the alarm receiving center and the mobile app (DMSS or DoLynk Care), and sends videos from the PIR Camera and IPC so that you can stay up to date on events, without the hassle of personally monitoring your scene.

Technical Specification

Port

Wired Input	Expandable 64 channels
Wired Output	Expandable 64 channels
Area	32 areas (rooms)
Connected Peripheral	150 peripherals (including wireless and wired devices): Specifically, up to wireless 64 keyfobs up to 8 wireless keypads up to 6 wireless sirens (including 4 intercom sirens) up to 6 wireless repeaters up to 64 wireless PIR-Cam (including Indoor PIR Cameras, Outdoor PIR Cameras, and Triple-tech Detectors) up to 16 Multi I/O Transmitters up to 16 RS-485 Expander modules (including Input Expander and Output Expander)
Network Mode	Ethernet, Wi-Fi and Cellular network(Supports installation of dual SIM cards. Only one card can be enabled at a time)
Network Port	1 RJ-45, 10 Mbps/100 Mbps Ethernet port.

- Supports alarm video verification through integration of the IPC with the hub.
- Images can be remotely and quickly transferred from the PIR-Cam to the device.
- Features voice call alarm.
- Supports wired and AP network configuration methods, which makes it easier to add the hub to apps and to switch to the hub's network.
- Supports multi-network redundancy for Ethernet, Wi-Fi and 4G networks to ensure the network remains stable and reliable.
- Supports two-way communication and frequency hopping to make communication with wireless peripherals stable and reliable.
- Features cloud update. You can also remotely update the device and wireless peripherals on the mobile app.
- Offers a dual backup system, and uses auto recovery when an update fails.

Storage Battery	One built-in 4,750 mah rechargeable lithium battery.
-----------------	--

Video & Audio

Video Input	up to 8 onboard IPCs
Audio Output	1 channel
Volume Control	Yes
Voice Broadcast	Telephone and local speaker

Function

Indicator Light	The indicator indicates the status of alarms, arming and disarming, the network connection and device failure.
Button	Includes a reset button, voltage button and AP switch button.
SMS	Yes (up to 12 phone numbers)
Phone Call	Yes (up to 12 phone numbers)
Video Linkage	Yes
Offline Cache	Stores up to 50 alarm messages.
Arm and Disarm	App, keyboard, remote control, card, SMS, scheduled arming and disarming.
Remote Update	Cloud update
Low Battery Detection	Yes
Tamper	Yes
User Management	33 app users (31 general users, 1 admin user and 1 installer) and 32 keypad users
Logs	Up to 5, 000 entries
Transmission Protocol	SIA, SoftGuard

Wireless

Carrier Frequency	868.0–868.6 MHz
Transmitter Power (EIRP)	Limit 25 mW
Communication Mechanism	Two-way
Communication Distance	Up to 2,000 m (6,561.68 ft) in an open space.
Encryption Mode	AES128
Frequency Hopping	Yes

General

Language	Supports 18 languages: Arabic, Czech, Danish, Dutch, English, French, German, Italian, Portuguese (Europe), Russian, Spanish (Latin America), Spanish (Europe), Turkish, Slovak, Polish, Greek, Bulgarian, Estonian. It is set as English by default
Power Supply	100–240 VAC, 50/60 Hz
Standby Time	The battery lasts up to 12 hours when it is fully charged and is within the following conditions: It is connected to the Wi-Fi, its ID is connected to the alarm receiving center, the heartbeat interval is 1,800 seconds, and it is connected to 8 peripherals and the cloud.
Power Consumption	220 VAC 80 mA(Max) 220 VAC 40 mA(Standby)
Operating Temperature	When battery is not charging: -10 °C to +55 °C (+14 °F to +131 °F) When battery is charging : 0 °C to +45 °C (+32°F to +113 °F)
Operating Humidity	10%–90% (RH)
Product Dimensions	174.8 mm × 174.8 mm × 38.3 mm (6.88" × 6.88" × 1.51") (L × W × H)
Net Weight	510 g (1.12 lb)
Gross Weight	860 g (1.90 lb)
Installation	Supports wall mount and desktop mount installation.
Casing Material	PC + ABS
Certifications	CE EN 50131-1:2006+A1:2009+A2:2017+A3:2020 EN 50131-3:2009 EN 50131-6:2017+A1:2021 EN 50131-5-3:2017 EN 50131-10: 2014 EN 50136-2: 2013+A1:2023 Security Grade 2 Environmental Class II ATS category: SP2/DP2
Anti-corrosion Level	Basic Protection *The products are designed for general use and are applicable even in areas with no specific requirements for anti-corrosion protection.
Storage Temperature	-10 °C to +55 °C (+14 °F to +131 °F)
Storage Humidity	10%–90% (RH)
Packaging Dimensions	254 mm × 211 mm × 61 mm (10.00" × 8.31" × 2.40") (L × W × H), standalone in the inner box 524 mm × 508 mm × 442 mm (20.63" × 20.00" × 17.40") (L × W × H), protective case

Wi-Fi

Wi-Fi Standard	IEEE 802.11b/g/n
Wi-Fi Frequency Range	2400-2483.5 MHz
Wi-Fi Power Transmission	≤20 dBm@2400-2483.5 MHz

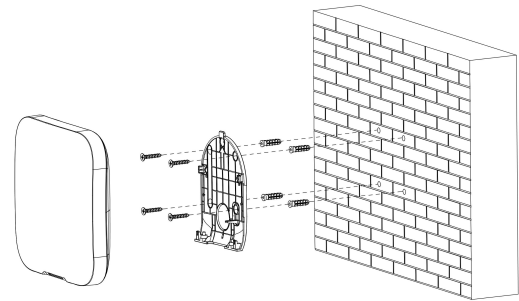
Cellular Network

Cellular Network Standard	GSM/WCDMA/LTE
Frequency Range	EU: 4G : FDD-LTE: B1/B3/B7/B8/B20/B28A; TDD-LTE: B38/B40/B41; 3G : WCDMA: B1/B8; 2G : GSM: 1,800/900MHz;
Transmitter Power (EIRP)	4G: Power class3: 23 dBm±2dB 3G: Power class3: 24 dBm+1/-3dB 2G: Power class0: 30 dBm±3dB (GSM900) Power class5: 33 dBm±3dB (GSM1800)

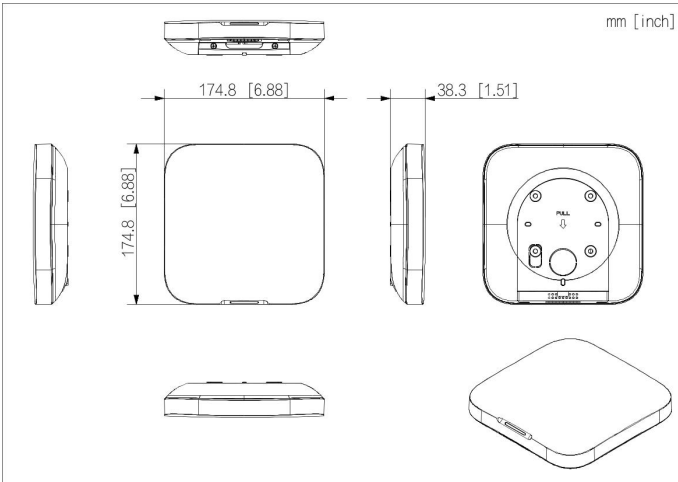
Ordering Information

Type	Model	Description
Alarm Hub	DHI-ARC3800H-FW2(868)	Dahua Wireless Alarm Hub 2

Installation



Dimensions (mm[inch])



Application

