

DHI-ARA46-N-W2(868)

Alarm Repeater Pro(Only compatible with ARC3800H series)



Series Overview

The Alarm Repeater extends the distance of wireless communication between peripherals and alarm hub, greatly expanding the coverage of a scene. It also extends the benefits of your security system by allowing more devices to connect to repeaters.

Technical Specification

Port

Wireless Peripheral	128 wireless peripherals
Network Mode	Ethernet and Wi-Fi
Network Port	1 RJ-45, 10 Mbps/100 Mbps Ethernet port
Storage Battery	One built-in 4,750 mah rechargeable lithium battery

Function

Indicator Light	1 indicator for indicating pairing and working status
Button	Includes a reset button, power button and AP switch button
Remote Update	Cloud update
Low Battery Detection	Yes
Tamper	Yes
Pairing Mode	Auto/Manual

Technical

Operating Current	220 VAC, 100 mA (max) 220 VAC, 8.6 mA (standby)
-------------------	--

Wireless

Carrier Frequency	Airfly: 865-868.6 MHz RF-HD (normal speed): 865-868 MHz RF-HD (high speed): 2400-2483.5 MHz
-------------------	---

- Supports connecting to the Hub through Ethernet, Wi-Fi and RF. All communication channels can be connected simultaneously to enhance reliability.
- Supports frequency hopping and two-way communication to ensure stable and reliable communication with wireless peripherals.
- Supports cloud update. Remote update of alarm repeater pro can be performed on mobile app.
- Supports dual-system backup to automatically recover from update failure, and to ensure reliability during update.
- Supports offline linkage to enhance system security.
- Supports manually or automatically adding peripherals to alarm repeater pro.
- Supports forwarding images and audio data.

Transmitter Power (EIRP)	Limit 25 mW
Communication Mechanism	Two-way
Communication Distance	Airfly:2,000 m (6561.68 ft) RF-HD (normal speed):1,600 m (5249.34 ft) RF-HD (high speed):300 m (984.25 ft)
Encryption Mode	AES128
Frequency Hopping	Yes

General

Power Supply	100–240 VAC, 50/60 Hz
Standby Time	35 hours(only connected to the Hub through Airfly and normal speed RH-HD) 18 hours(connected to the Hub through Ethernet, Wi-Fi or high speed RF-HD)
Power Consumption	22 W (max) 1.9 W (standby)
Operating Temperature	When battery is not charging: -10 °C to +50 °C (+14 °F to +122 °F) When battery is charging : 0 °C to +45 °C (+32°F to +113 °F)
Operating Humidity	10%–90% (RH)
Product Dimensions	174.8 mm × 174.8 mm × 38.3 mm (6.88" × 6.88" × 1.51") (L × W × H)
Net Weight	510 g (1.12 lb)
Gross Weight	860 g (1.90 lb)
Installation	Supports wall mount and desktop mount installation
Casing Material	PC + ABS
Certifications	CE
Storage Temperature	-10 °C to +55 °C (+14 °F to +131 °F)
Storage Humidity	10%–90% (RH)

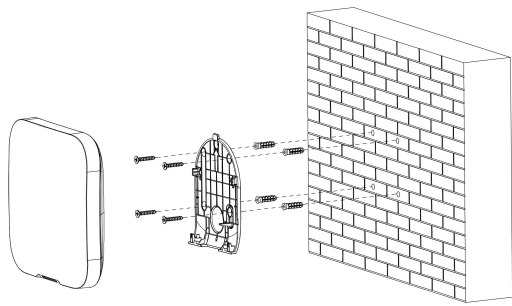
Alarm Repeater | DHI-ARA46-N-W2(868)

Packaging Dimensions	254 mm × 211 mm × 61 mm (10.00" × 8.31" × 2.40") (L× W × H), standalone in the inner box 524 mm × 508 mm × 442 mm (20.63" × 20.00" × 17.40") (L × W × H), protective case
Wi-Fi	
Wi-Fi Standard	IEEE 802.11b/g/n/ax
Wi-Fi Frequency Range	2400-2483.5 MHz
Wi-Fi Power Transmission	≤20 dBm@2400-2483.5 MHz

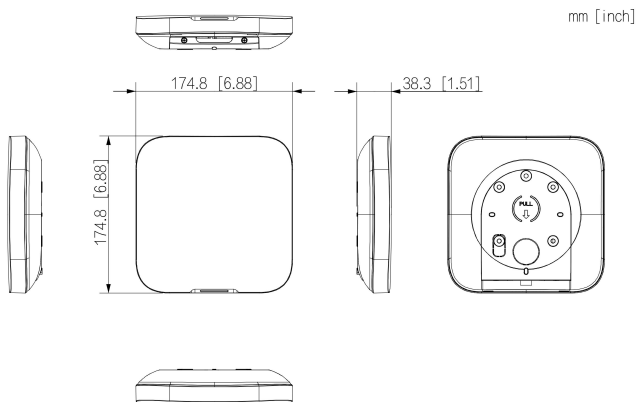
Ordering Information

Type	Model	Description
Alarm Repeater Pro	DHI-ARA46-N-W2(868)	Alarm Repeater Pro(Only compatible with ARC3800H series)

Installation



Dimensions (mm[inch])



Application

